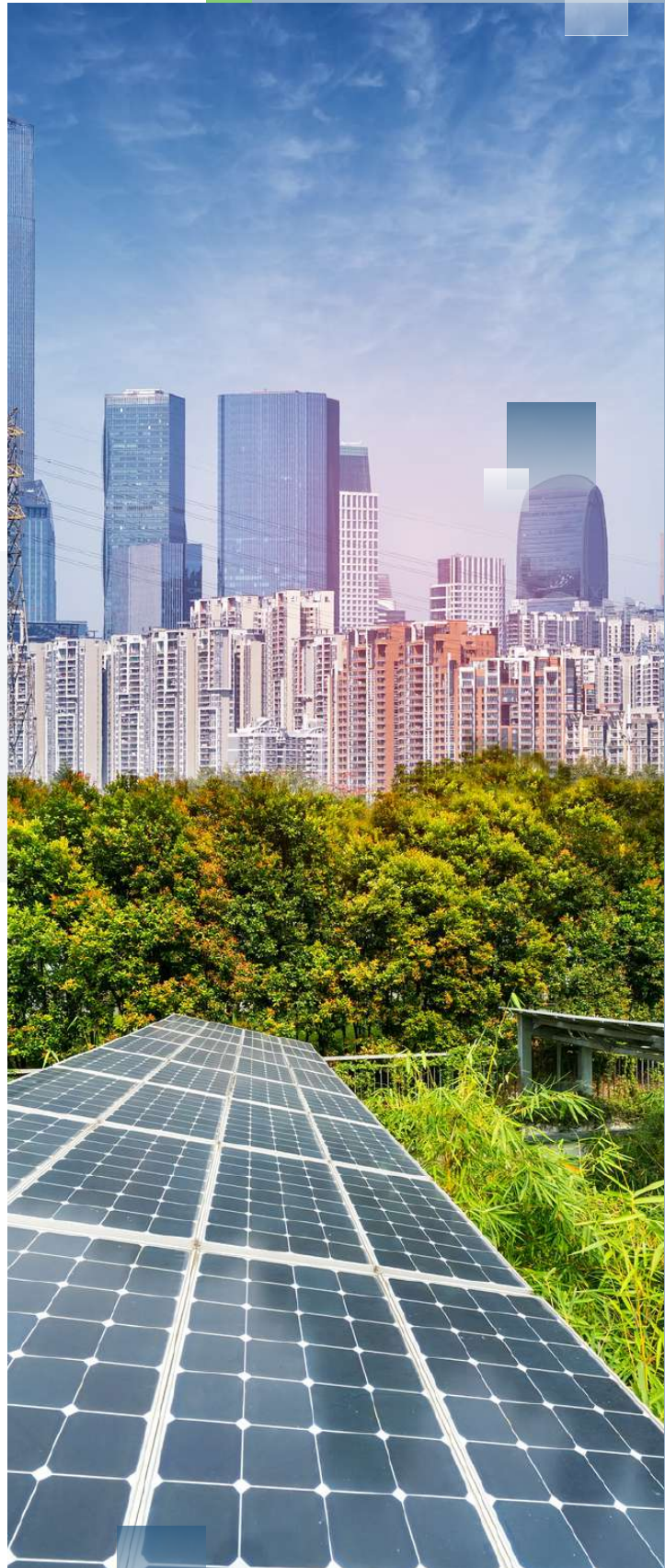




GEMINOX



NEW IN STOCK



 PV-ezRACK®

CLENERGY 

ezShade 2.0

Solar Parking Solution for Commercial and Residential Projects



ezShade 2.0

PV-ezRack® ezShade 2.0 is a solar parking solution providing solar panels support as well as car sheltering for residential and commercial projects. The high quality aluminum components and stainless steel fasteners ensure a robust and reliable system. With the exquisite structure design, the waterproof function is available without using a large amount of EPDM rubbers. Both silver anodized and black anodized options are available.

Main Benefits

Easy Installation

Thanks to the innovative structural design, the system can be installed with less steps in a short time.

Waterproof

With the new structural design, the PV-ezRack® ezShade 2.0 is totally waterproof after real testing in rainy day.

Excellent Corrosion Resistance

Manufactured from high quality anodized aluminum and stainless steel with excellent corrosion resistance, PV-ezRack® ezShade 2.0 offers reliable and durable solution.

Customized Solution Available

PV-ezRack® ezShade 2.0 is suitable for projects of small parking and large-scale parking lots, which is developed to cater for customer requirements. We can offer N-Shape or W-Shape supports. Both silver anodized and black anodized products are available.

Technical Details

Module Orientation	Landscape or Portrait
Module Type	Both Framed and Frameless
Wind Load	Customized
Tilt Angle	5 ° or 10 °
Foundation	Concrete
Material	Main Structure: AL6005-T5 Fasteners: SUS 304
Standard	AS NZS1170.2-2011 EN1991 JISC8955-2017 ASCE 7-10
Warranty	12 years

Top Applications

PV-ezRack® ezShade 2.0 has many potential applications, from

- Pergola's
- Carport's
- Swimming pool shade's
- Bus stand shade etc

It can support upwards of 5kW's worth of solar panels on the roof.

One can also affix an inverter, battery and EV charge outlet to the side beams to make it a complete charge station.



Image sites: Skyline Solar, NSW, Australia



Features

- The high-quality aluminium components and stainless steel fasteners ensure a robust and reliable system.
- With the tough structure design, the waterproof function is available without using a large number of EPDM rubbers
- Sheltering for residential and commercial projects.



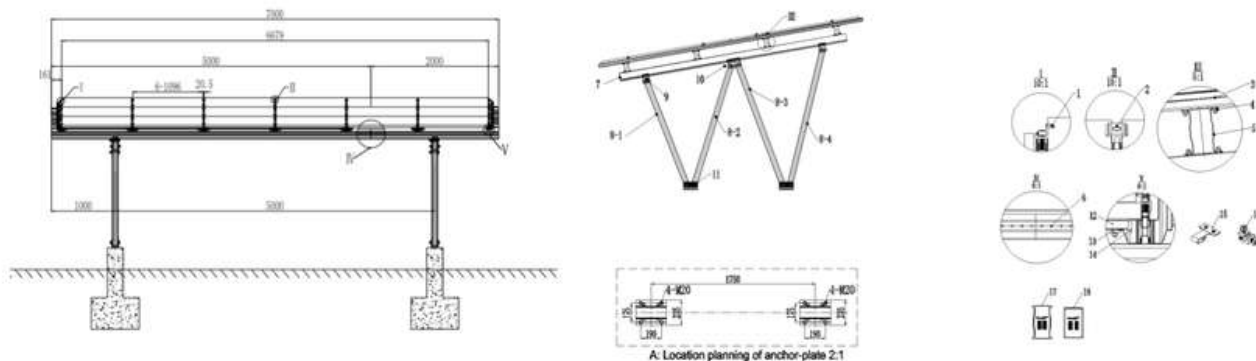


				
<p>SP-SDII/R/168 Splice for Rail 168</p>	<p>R-SDII/168 Rail 168</p>	<p>G-SDII/150 Girder 150</p>	<p>GU-SDII/22 Gutter 22</p>	<p>R-SDII/60 Rail 60</p>
				
<p>RT-100/90 Rectangular Tube 100*90</p>	<p>BA-SDII/280 Corrugated T-Base 280</p>	<p>BA-SDII/200 Corrugated T-Base 200</p>	<p>HJ-SDII/158/130 H Joint 130</p>	<p>EC-W & ICII-W End Clamp & Inter Clamp II</p>

Proposal FOR 2 CARS

Basic Information

Panels Qty:	18	Installation Angle:	10°	Drawing number:	DFG22EU50155-01DW01
Module Size (m ²):	2.612864	Module Power (W):	545		
Total Qty (m ²):	47.032	Total Power (W):	9,810		



Bill of Materials and Pricing Schedule

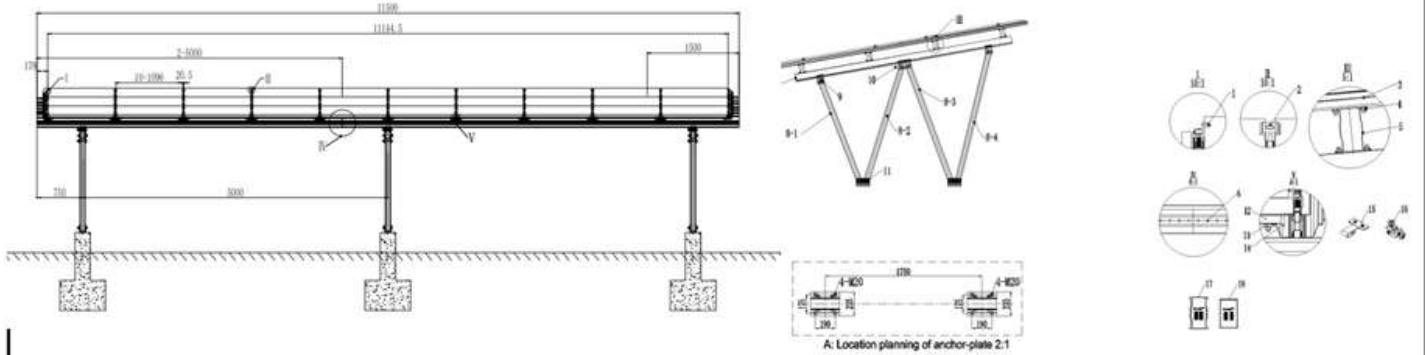
Item	Parts Number	Description	Qty/3 *6	Qty/ Units	Qty/ Project	Qty/ Spare	Total Qty	Unit
1	ER-EC-W35/OM	PV-ezRack LS Module End Clamp, for Frame Height 35mm with W module	12	12	12	1	13	UNIT
2	ER-ICII-W35/38	PV-ezRack Module Inter Clamp II, for Frame Height 35-38mm with W module	30	30	30	1	31	UNIT
3	R-SDII/60/4900	PV-ezRack SolarCarport, Rail 60*4900mm	7	7	7	0	7	PC
4	ER-RC-T/W	PV-ezRack Rail Clamp for T-Rail with W module	88	88	88	5	93	UNIT
5-1	R-SDII/168/5000	PV-ezRack SolarCarport, Rail 168*5000	4	4	4	0	4	PC
5-2	R-SDII/168/2000	PV-ezRack SolarCarport, Rail 168*2000	4	4	4	0	4	PC
5-3	R-SDII/168/1500	PV-ezRack SolarCarport, Rail 168*1500	0	0	0	0	0	PC
6	SP-SDII/R/168	PV-ezRack ezShade II, Splice for Rail 168	4	4	4	0	4	UNIT
7	G-SDII/150/4200	PV-ezRack SolarCarport, Girder 150*4200	2	2	2	0	2	PC
8-1	RT-100/90/2100	Rectangular Tube 100*90*2100	2	2	2	0	2	PC
8-2	RT-100/90/2335	Rectangular Tube 100*90*2335	2	2	2	0	2	PC
8-3	RT-100/90/2405	Rectangular Tube 100*90*2405	2	2	2	0	2	PC
8-4	RT-100/90/2600	Rectangular Tube 100*90*2600	2	2	2	0	2	PC
9	HJ-SDII/158/130	PV-ezRack ezShade II, H Joint 130	4	4	4	0	4	UNIT
10	HJ-SDII/158/240	PV-ezRack ezShade II, H Joint 240	2	2	2	0	2	UNIT
11	BA-SDII/280	PV-ezRack ezShade II, Corrugated T-Base 280	4	4	4	0	4	UNIT
12	GU-SDII/22/1049	PV-ezRack ezShade II, Gutter 22*1049	24	24	24	0	24	PC
13	C-SDII/50/35	PV-ezRack ezShade II, Corrugated Clamp	48	48	48	4	52	UNIT
14	RR-GU/SDII/22	PV-ezRack ezShade II, Rubber ring for Gutter 22	48	48	48	4	52	PC
15	GC-LSR	PV-ezRack Grounding Clip for LS-Rail	36	36	36	4	40	PC
16	EZ-GL-U	PV-ezRack Universal Grounding Lug	7	7	7	1	8	UNIT
17	CAP-R/SDII/168	PV-ezRack ezShade II, Cap for Rail 168	8	8	8	1	9	PC
18	CAP-G/SDII/150	PV-ezRack ezShade II, Cap for Girder 150	4	4	4	1	5	PC
Total Price (with spare):								\$4,000.00



Proposal FOR 4 CARS

Basic Information

Panels Qty:	30	Installation Angle:	10°	Drawing number:	DFG22EU50155-01DW02
Module Size (m ²):	2.612864	Module Power (W):	540		
Total Qty (m ²):	78.386	Total Power (W):	16,200		



Bill of Materials and Pricing Schedule

Item	Parts Number	Description	Qty/3	Qty/	Qty/	Qty/	Total Qty	Unit
			*10	1units	Project	Spare		
1	ER-EC-W35/OM	PV-ezRack LS Module End Clamp, for Frame Height 35mm with W module	12	12	12	1	13	UNIT
2	ER-ICII-W35/38	PV-ezRack Module Inter Clamp II, for Frame Height 35-38mm with W module	54	54	54	3	57	UNIT
3	R-SDII/60/4900	PV-ezRack SolarCarport, Rail 60*4900mm	11	11	11	0	11	PC
4	ER-RC-T/W	PV-ezRack Rail Clamp for T-Rail with W module	136	136	136	5	141	UNIT
5-1	R-SDII/168/5000	PV-ezRack SolarCarport, Rail 168*5000	8	8	8	0	8	PC
5-2	R-SDII/168/2000	PV-ezRack SolarCarport, Rail 168*2000	0	0	0	0	0	PC
5-3	R-SDII/168/1500	PV-ezRack SolarCarport, Rail 168*1500	4	4	4	0	4	PC
6	SP-SDII/R/168	PV-ezRack ezShade II, Splice for Rail 168	8	8	8	0	8	UNIT
7	G-SDII/150/4200	PV-ezRack SolarCarport, Girder 150*4200	3	3	3	0	3	PC
8-1	RT-100/90/2100	Rectangular Tube 100*90*2100	3	3	3	0	3	PC
8-2	RT-100/90/2335	Rectangular Tube 100*90*2335	3	3	3	0	3	PC
8-3	RT-100/90/2405	Rectangular Tube 100*90*2405	3	3	3	0	3	PC
8-4	RT-100/90/2600	Rectangular Tube 100*90*2600	3	3	3	0	3	PC
9	HJ-SDII/158/130	PV-ezRack ezShade II, H Joint 130	6	6	6	0	6	UNIT
10	HJ-SDII/158/240	PV-ezRack ezShade II, H Joint 240	3	3	3	0	3	UNIT
11	BA-SDII/280	PV-ezRack ezShade II, Corrugated T-Base 280	6	6	6	0	6	UNIT
12	GU-SDII/22/1049	PV-ezRack ezShade II, Gutter 22*1049	40	40	40	0	40	PC
13	C-SDII/50/35	PV-ezRack ezShade II, Corrugated Clamp	80	80	80	4	84	UNIT
14	RR-GU/SDII/22	PV-ezRack ezShade II, Rubber ring for Gutter 22	80	80	80	4	84	PC
15	GC-LSR	PV-ezRack Grounding Clip for LS-Rail	60	60	60	3	63	PC
16	EZ-GL-U	PV-ezRack Universal Grounding Lug	11	11	11	1	12	UNIT
17	CAP-R/SDII/168	PV-ezRack ezShade II, Cap for Rail 168	8	8	8	1	9	PC
18	CAP-G/SDII/150	PV-ezRack ezShade II, Cap for Girder 150	6	6	6	1	7	PC
Total Price (with spare):								\$6,000.00





TOGETHER FOR A **GREENER** FUTURE

CONTACT US:

ROMANIA

📍 Bucuresti Nord street, no 10, Global City Business Park, O21,9th floor, Voluntari, Romania

☎ + 40 769 063 356
+ 40 755 324 111

✉ sales@geminox.ro

GREECE

📍 Filellinon 5, Pireas, 185 36
GREECE

☎ +30 2102720289

✉ sales@geminox.gr

